

# Combination

Twin encoder with two electrically separated systems

Blind hollow shaft or cone shaft

300...5000 pulses per revolution

## HOG 9 G



HOG 9 G

### Technical data - electrical ratings

Voltage supply	5 VDC $\pm$ 5 % 9...30 VDC
Consumption w/o load	$\leq$ 100 mA
Pulses per revolution	300...5000
Phase shift	90° $\pm$ 20°
Scan ratio	40...60 %
Reference signal	Zero pulse, width 90°
Output frequency	$\leq$ 120 kHz $\leq$ 300 kHz (on request)
Output signals	K1, K2, K0 + inverted Error output (only EMS)
Output stages	HTL-P (power linedriver) TTL/RS422
Sensing method	Optical
Interference immunity	EN 61000-6-2
Emitted interference	EN 61000-6-3
Approvals	CE, UL approval / E256710

### Features

- Twin encoder featuring two separate systems
- TTL output driver for cable length up to 500 m
- Hybrid bearing for extended lifetime

### Optional

- Function control with EMS  
(Enhanced Monitoring System)

### Technical data - mechanical design

Size (flange)	$\varnothing$ 97 mm
Shaft type	$\varnothing$ 16 mm (blind hollow shaft) $\varnothing$ 17 mm (cone shaft 1:10)
Shaft loading	$\leq$ 400 N axial $\leq$ 500 N radial
Protection DIN EN 60529	IP 56
Operating speed	$\leq$ 10000 rpm (mechanical)
Operating torque typ.	6 Ncm
Rotor moment of inertia	160 gcm <sup>2</sup>
Materials	Housing: aluminium die-cast Shaft: stainless steel
Operating temperature	-30...+100 °C -25...+100 °C (>3072 pulses per revolution)
Resistance	IEC 60068-2-6 Vibration 17 g, 10-2000 Hz IEC 60068-2-27 Shock 275 g, 6 ms
Explosion protection	II 3 G Ex nA IIC T4 Gc (gas) II 3 D Ex tc IIIB T135°C Dc (dust)
Connection	2x flange connector M23, 12-pin
Weight approx.	1.1 kg

# Combination

Twin encoder with two electrically separated systems

Blind hollow shaft or cone shaft

300...5000 pulses per revolution

HOG 9 G

## Part number

Incremental twin encoder

HOG9G 

	DN			/	DN			
--	----	--	--	---	----	--	--	--

Shaft diameter

16H7 Blind hollow shaft  $\varnothing$ 16 mm

17K Cone shaft  $\varnothing$ 17 mm (1:10)

Voltage supply / signals

I 9...30 VDC / output circuit HTL with inverted signals

TTL 5 VDC / output circuit TTL with inverted signals

R 9...30 VDC / output circuit TTL with inverted signals

Pulse number - see table

Output signals

DN K1, K2, K0

Voltage supply / signals

I 9...30 VDC / output circuit HTL with inverted signals

TTL 5 VDC / output circuit TTL with inverted signals

R 9...30 VDC / output circuit TTL with inverted signals

Pulse number - see table

Output signals

DN K1, K2, K0

EMS - Enhanced Monitoring System

Without EMS

.2 With EMS

## Pulse number

300	1000	2048	4096
500	1024	2500	5000
512	1200	3072	

Other pulse numbers on request.

# Combination

Twin encoder with two electrically separated systems

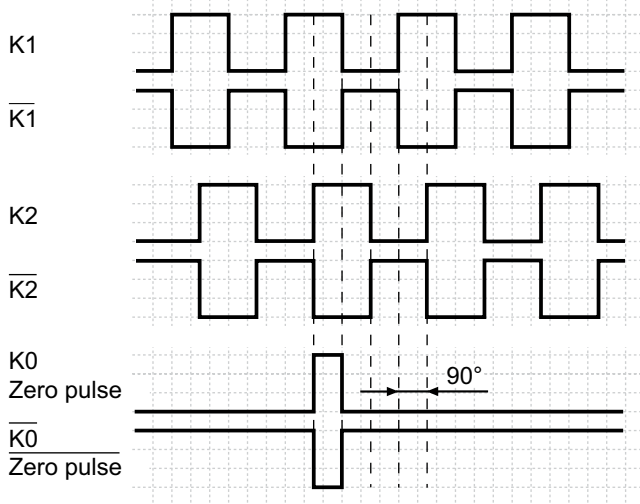
Blind hollow shaft or cone shaft

300...5000 pulses per revolution

## HOG 9 G

### Output signals

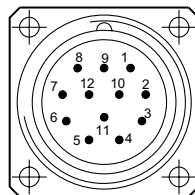
At positive rotating direction



### Terminal assignment

View A - Flange connector M23, 12 pin, male contacts, CW

Pin	Assignment
1	$\overline{K2}$ (K2 inv.)
2	Do not use
3	K0 (Zero pulse)
4	$\overline{K0}$ (Zero pulse inv.)
5	K1
6	$\overline{K1}$ (K1 inv.)
7	Do not use (Option EMS: Err)
8	K2
9	Do not use (Option EMS: 0 V)
10	0 V
11	Do not use
12	+UB



### Accessories

#### Connectors and cables

HEK 8	Sensor cable for encoders
11068577	Mating connector M23, solder version, 12-pin, CCW

#### Mounting accessories

DMS 6	Torque arm size M6
11081744	Mounting and dismounting kit for blind hollow shaft
11084868	Mounting and dismounting kit for cone shaft

#### Diagnostic accessories

HENQ 1100	Analyzer for encoders
-----------	-----------------------

### Option EMS: LED status / Error output

Flash light red*	Error of signal sequence, zero pulse or pulses (Error output = HIGH-LOW alternation)
Red	Overload output transistors (Error output = LOW)
Flash light green	Encoder o.k., rotating (Error output = HIGH)
Green	Encoder o.k., stopped (Error output = HIGH)
No light	No output voltage connection or wrong connection (Error output = LOW)

\* Only at rotating encoder

# Combination

Twin encoder with two electrically separated systems

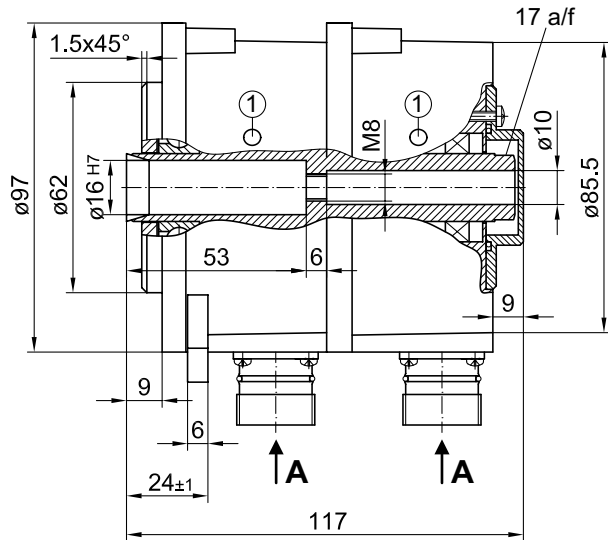
Blind hollow shaft or cone shaft

300...5000 pulses per revolution

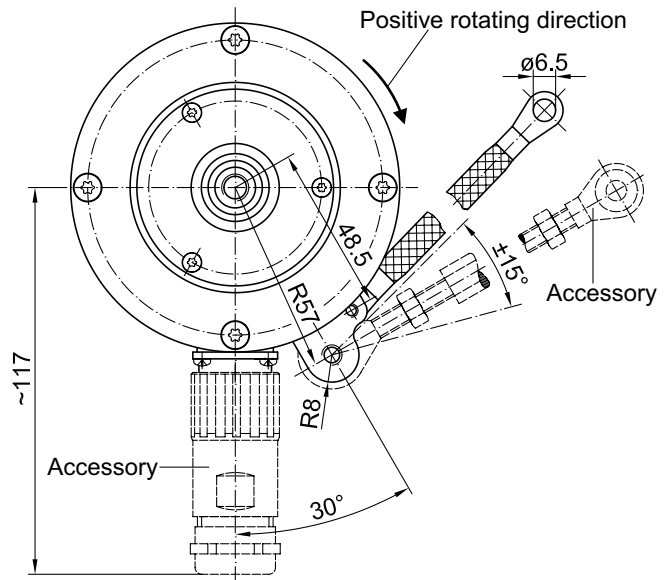
HOG 9 G

## Dimensions

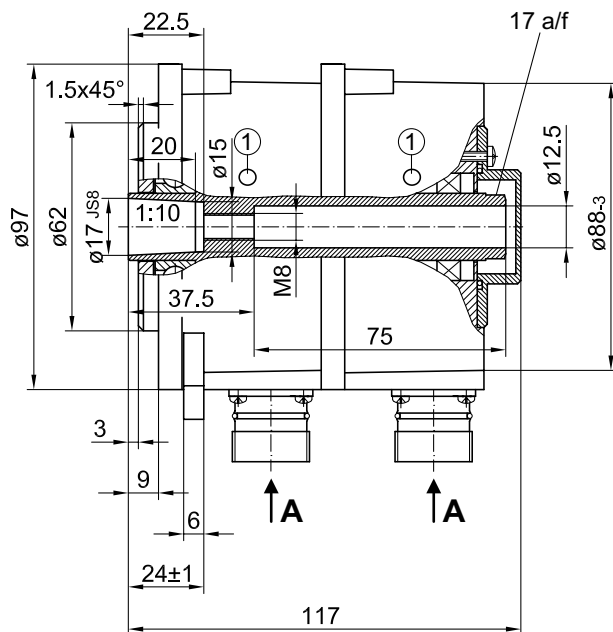
### HOG 9 G (HOG 9.2 G) - Version with blind hollow shaft



① Status LED (option EMS)



### HOG 9 G (HOG 9.2 G) - Version with cone shaft



① Status LED (option EMS)

